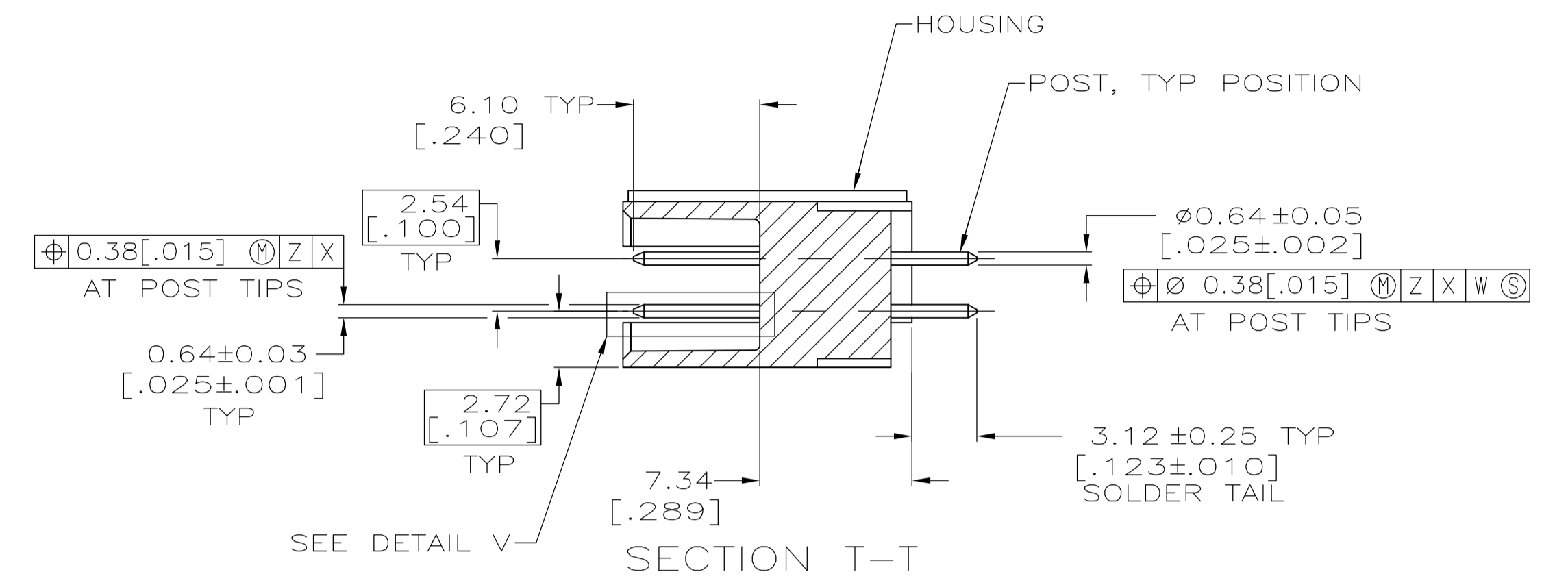
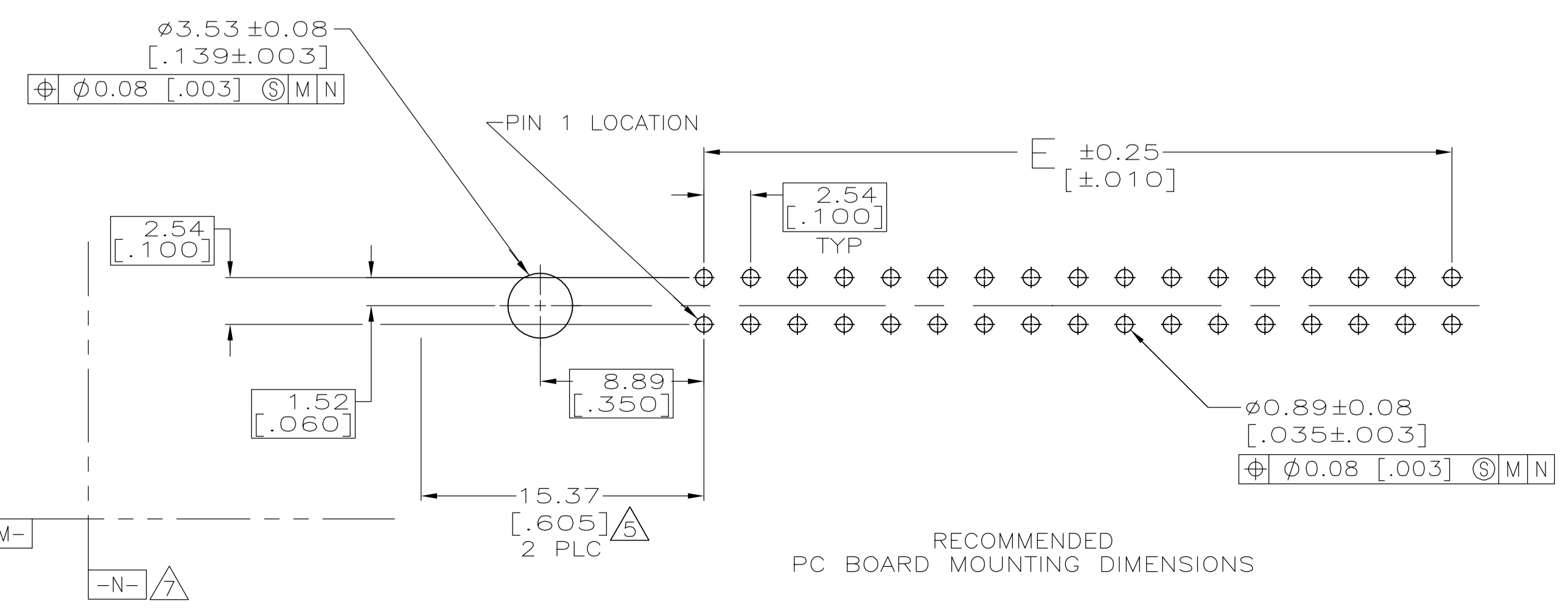
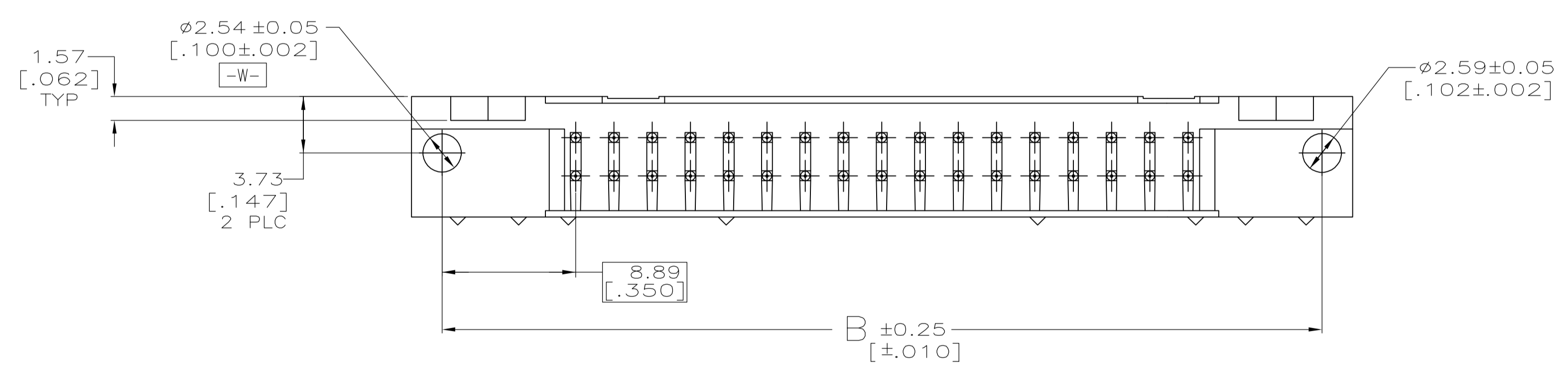
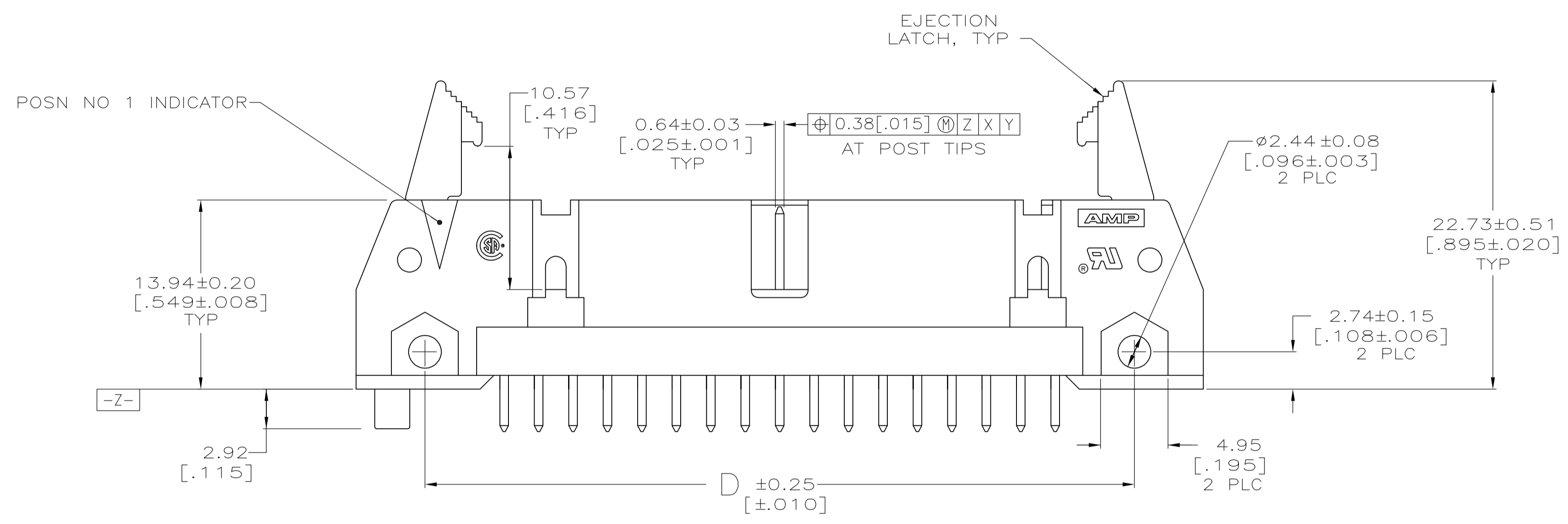


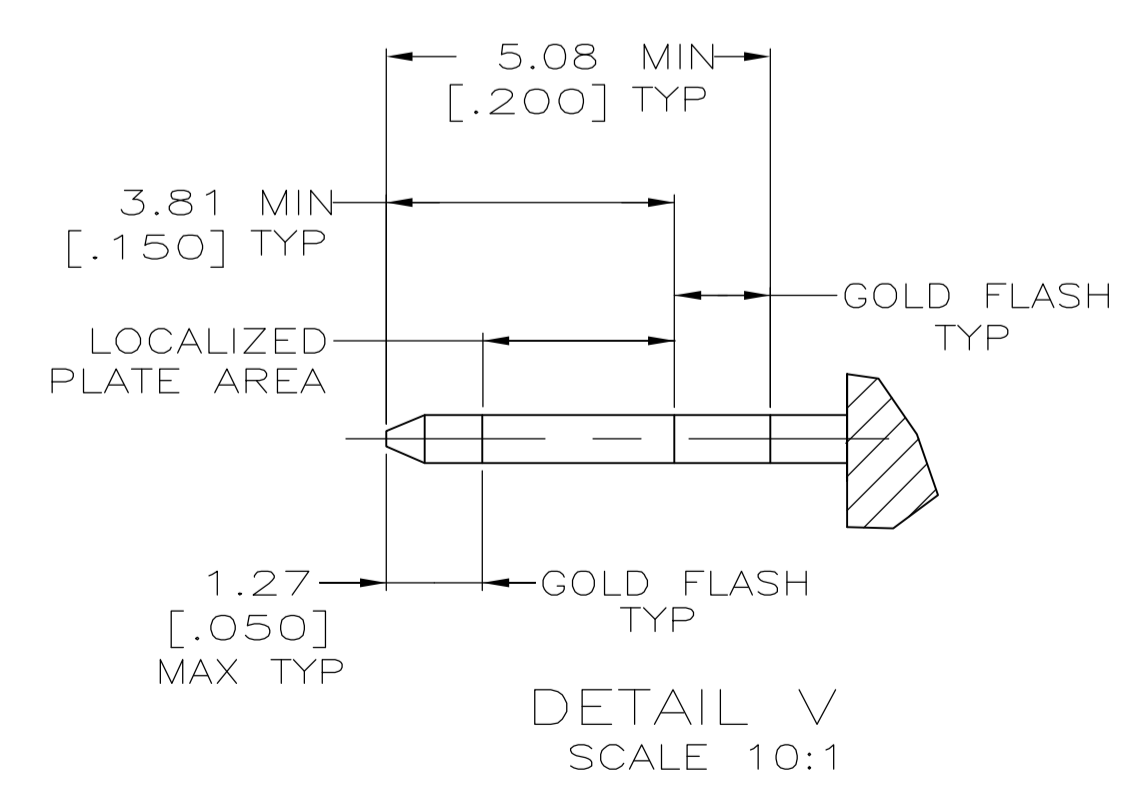
EJECTION LATCHES OMITTED IN THIS VIEW FOR CLARITY



- △ COORDINATE DIMENSION APPLIES FROM BASIC LOCATION.
- △ 10 AND 14 POSITION SIZES CONTAIN ONLY ONE SLOT FOR SNAP-IN POLARIZER (MILITARY POLARIZATION) LOCATED AS SHOWN.
- △ 10 POSITION SIZES CONTAIN ONLY ONE SLOT FOR DUAL POLARIZATION, LOCATED AS SHOWN.
- △ POSTS: GOLD FLASH OVER 0.38μm[.000015] MIN PALLADIUM-NICKEL PLATE ON THE LOCALIZED PLATE AREA, 2.54μm[.000100] MIN TIN PLATE ON THE SOLDER-TAILS, 1.27μm[.000050] MIN NICKEL UNDERPLATE ON THE ENTIRE POST.
-OR-
0.38μm[.000015] MIN GOLD PLATE ON THE LOCALIZED PLATE AREA, 2.54μm[.000100] MIN TIN PLATE ON THE SOLDER-TAILS, 1.27μm[.000050] MIN NICKEL UNDERPLATE ON THE ENTIRE POST.
- △ DISTANCE REQUIRED BY EJECTION LATCHES IN THE OPEN POSITION.
- △ HOUSING: GLASS FILLED NYLON OR POLYESTER, UL94V-0 RATED, COLOR BLACK. POSTS: PHOSPHOR BRONZE OR BRASS.
- △ DATUMS -M- & -N- TO BE ESTABLISHED BY CUSTOMER.



RECOMMENDED PC BOARD MOUNTING DIMENSIONS



60.96 [2.400]	72.64 [2.860]	82.80 [3.260]	78.74 [3.100]	68.58 [2.700]	50	1-5111749-0
48.26 [1.900]	59.94 [2.360]	70.10 [2.760]	66.04 [2.600]	55.88 [2.200]	40	5111749-9
40.64 [1.600]	52.32 [2.060]	62.48 [2.460]	58.42 [2.300]	48.26 [1.900]	34	5111749-8
27.94 [1.100]	39.62 [1.560]	49.78 [1.960]	45.72 [1.800]	35.56 [1.400]	24	5111749-5
22.86 [.900]	34.54 [1.360]	44.70 [1.760]	40.64 [1.600]	30.48 [1.200]	20	5111749-4
15.24 [.600]	26.92 [1.060]	37.08 [1.460]	33.02 [1.300]	22.86 [.900]	14	5111749-2
10.16 [.400]	21.84 [.860]	32.00 [1.260]	27.94 [1.100]	17.78 [.700]	10	5111749-1
E	D	C	B	A	NO OF POSN	PART NUMBER

**COPYRIGHT 2005
 TYCO ELECTRONICS CORP
 ALL RIGHTS RESERVED**

THIS DRAWING IS A CONTROLLED DOCUMENT.

DIMENSIONS: mm [inches]	TOLERANCES UNLESS OTHERWISE SPECIFIED: 0 PLC ± - 1 PLC ± - 2 PLC ± - 3 PLC ± 0.13 [.005] 4 PLC ± - ANGLES ± -	DIN G. ATTADIA - 01-12-05 CHK S. BOLASH - 10-12-05 APPD M. WALMSLEY - 01-12-05	tyco Electronics Tyco Electronics Corporation Harrisburg, PA 17105-3608
MATERIAL	FINISH	PRODUCT SPEC 108-40018 APPLICATION SPEC	NAME HEADER ASSEMBLY, UNIVERSAL, AMP LATCH
		SIZE A1	CAGE CODE 00779
		DRAWING NO 5111749	RESTRICTED TO
		WEIGHT	CUSTOMER DRAWING
		SCALE 4:1	SHEET 1 OF 1
			REV A